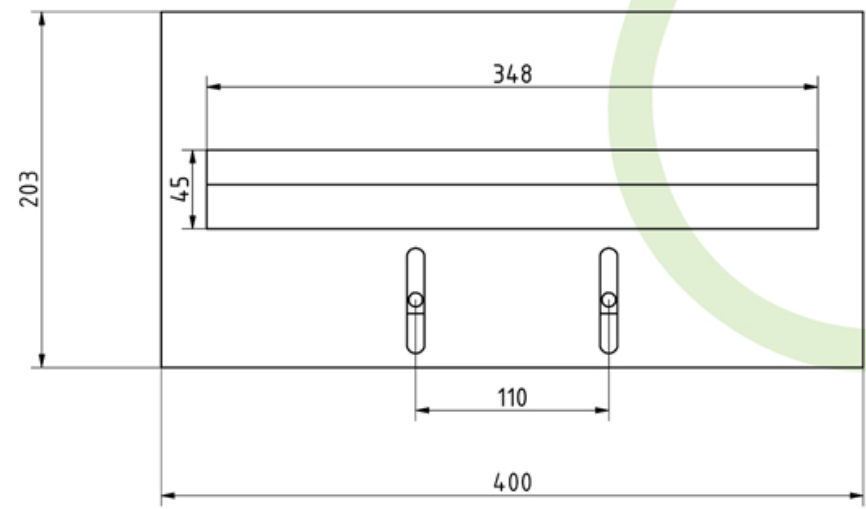
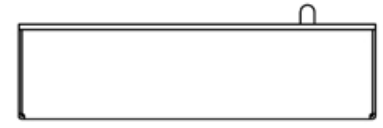
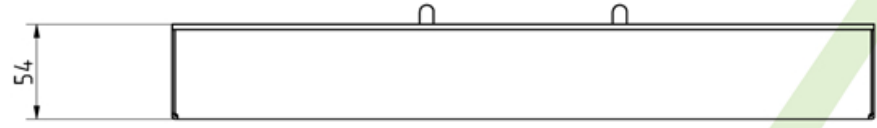
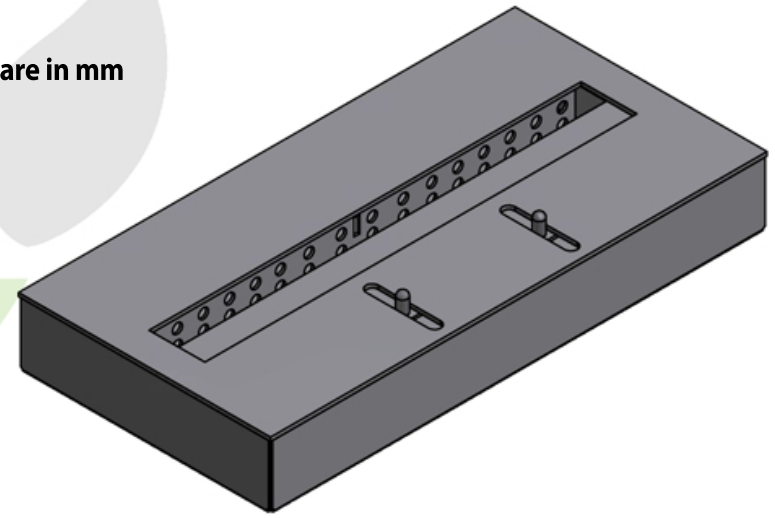


Burner 40 cm - 16" - Technical drawing



Measures are in mm



Product Dimensions

L 400 x H 54 x D 203mm

L 16" x H 2" x D 8"

Weight

4.5 kg / 10 lbs

Burner

2.5L / 2.6 qts burner - adjustable flame

Burning time

+/- 6 hrs - 0.4 l/h - 1/2 qt/h

Heating Capacity

2.8 KW / 9553 BTU

Minimum Room surface

58 M³ (roof 2.45 m) / 2048 ft³ (roof 8ft)

Advised air exchange

every one hour for rooms < 110 m³ < 3884 ft³

last updated

march 2016

